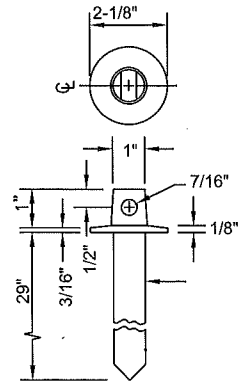
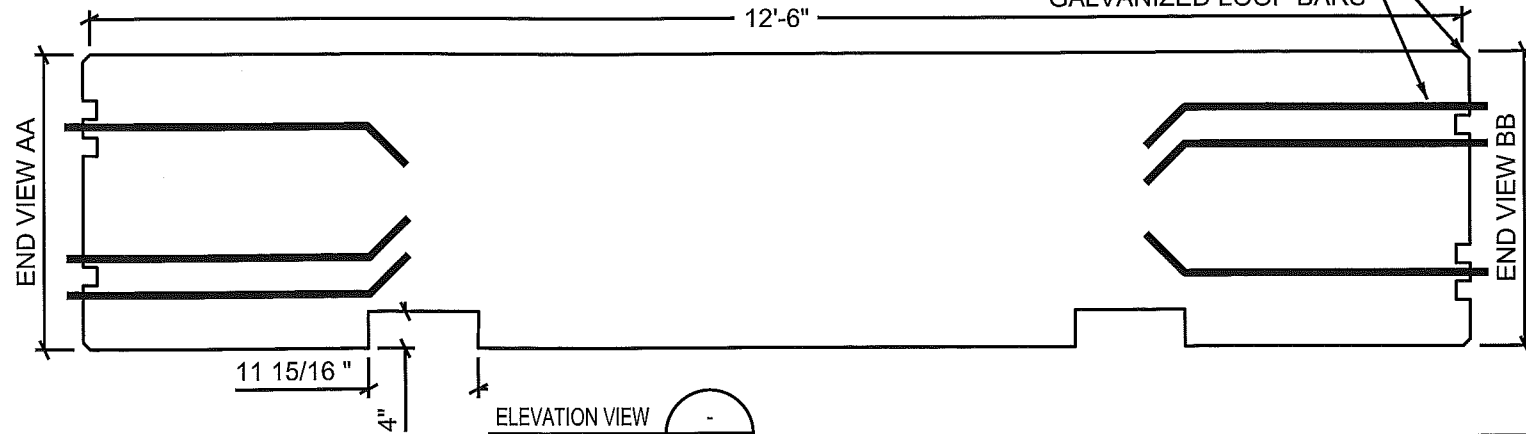


1" dia pin galv. after fabrication,  
conforming to ASTM A449.



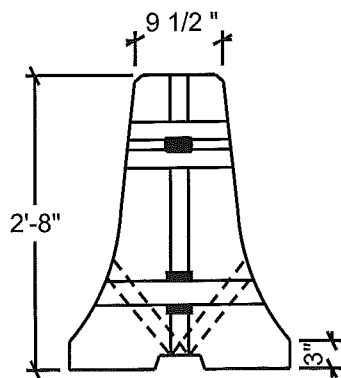
CONNECTING  
PIN DETAIL  
NOT  
INCLUDED  
WITH  
BARRIER



WEIGHT: 5800 LBS.

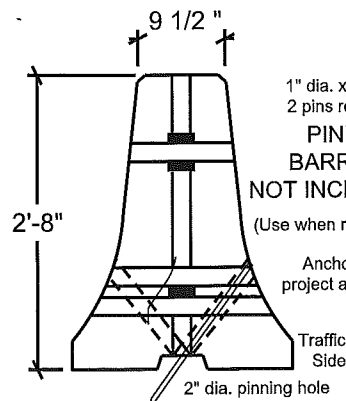
REBAR & MESH

BAR#	MARK	LENGTHS			WEIGHT
		QTY.	BEND	LENGTH	
#4		8			
#4		9			



END VIEW AA  
'F' BARRIER

AA



END VIEW BB  
'F' BARRIER

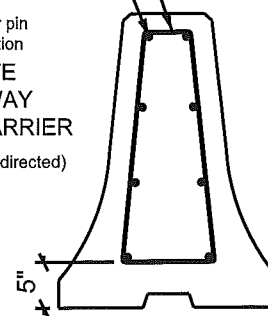
BB

(9) #4 BAR TIES

(8) #4 BAR

1" dia. x 30" galvanized anchor pin  
2 pins required per barrier section  
PINNING CONCRETE  
BARRIER TO ROADWAY  
NOT INCLUDED WITH BARRIER  
(Use when required by plans or as directed)

Anchor Pin shall not  
project above concrete  
surface



CUT VIEW  
'F' BARRIER

A



Fairbanks  
Precast & Rebar

1122 BRADWAY ROAD.  
NORTH POLE, AK.99705  
PH: (907) 488-9763  
FAX: (907) 488-8300

SCALE: NO SCALE

DRAWN BY: T.E.C.

DATE 2/4/2010

REVISED: 3/11/2010

DOT TYPE "F" BARRIER