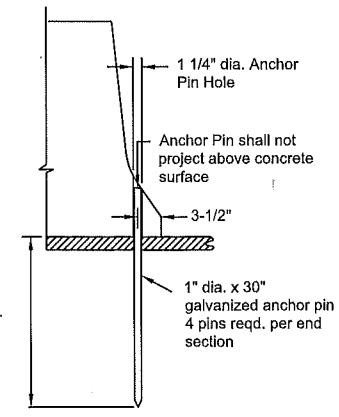
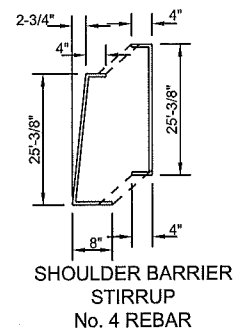
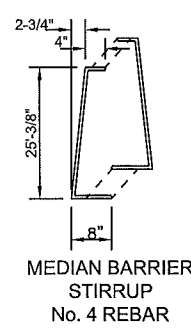
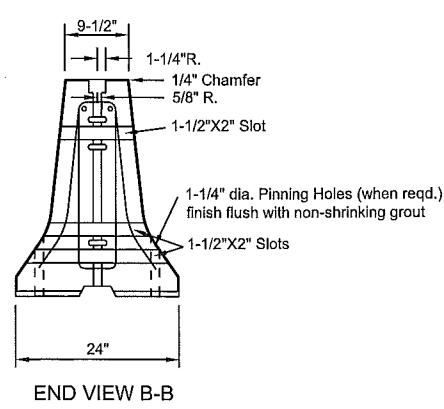
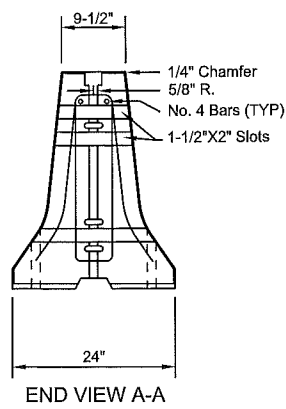
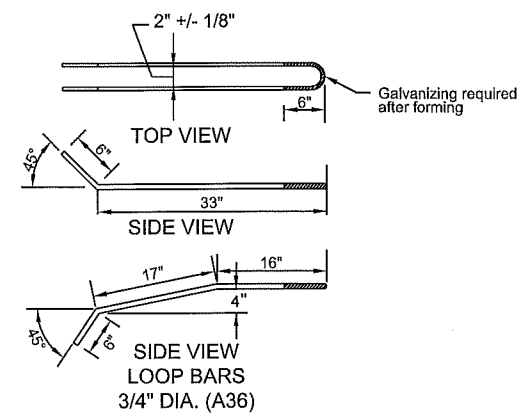
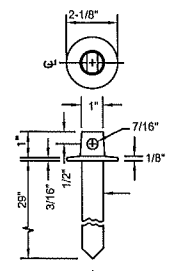


23" Embed.
Depth



1" dia pin galv. after fabrication, conforming to ASTM A449.



Fairbanks Precast & Rebar

1122 BRADWAY ROAD.
NORTH POLE, AK 99705
PH: (907) 488-9763
FAX: (907) 488-8300

SCALE: NO SCALE	DRAWN BY: T.E.C.
DATE 11/22/2010	REVISED: 11/19/2010

DOT TYPE "F" TAPERED BARRIER