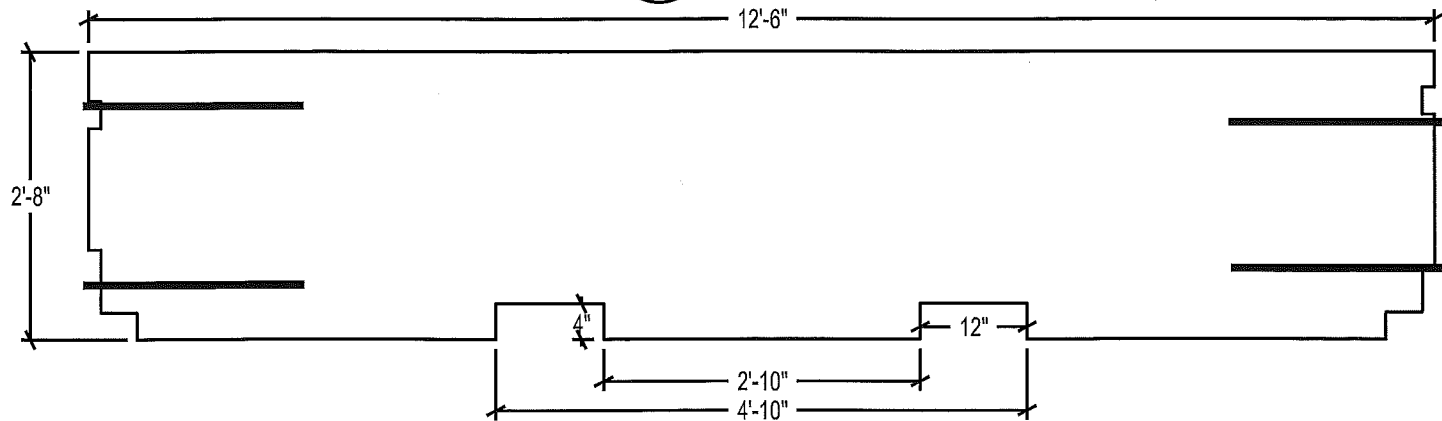
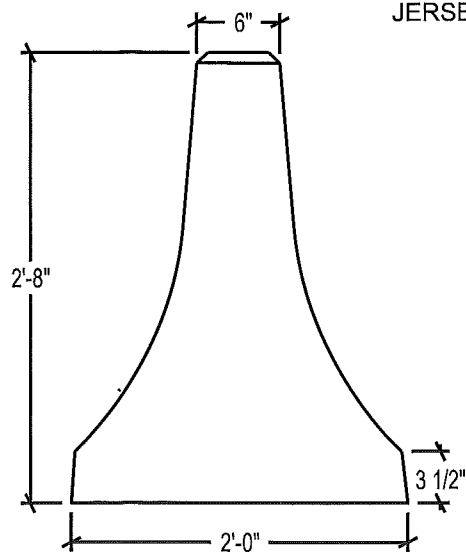


PLAN VIEW
JERSEY BARRIER



ELEVATION VIEW
JERSEY BARRIER

WEIGHT: 4900 LBS.



SECTION VIEW
JERSEY BARRIER

REBAR & MESH				
BAR#	MARK	LENGTHS		
		QTY.	BEND	LENGTH
5	501	1		23'X11'10 1/2'X23'
2	502	2		13'X11'10 1/2'X13'

	1122 BRADWAY ROAD. NORTH POLE, AK.99705 PH: (907) 488-9763 FAX: (907) 488-8300
	SCALE: NO SCALE DATE 2/2/2010
12'-6" JERSEY BARRIER	