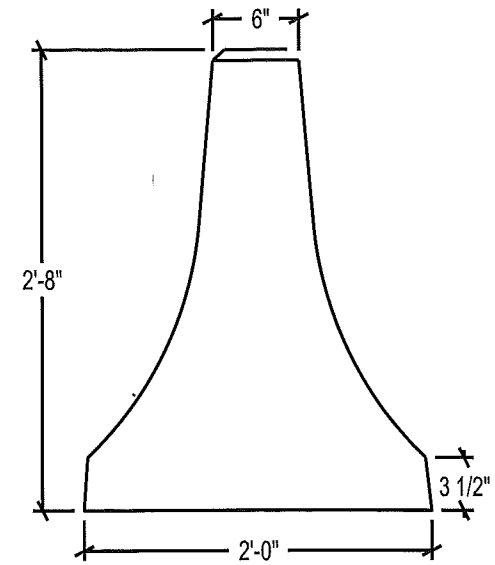
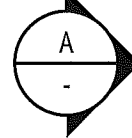
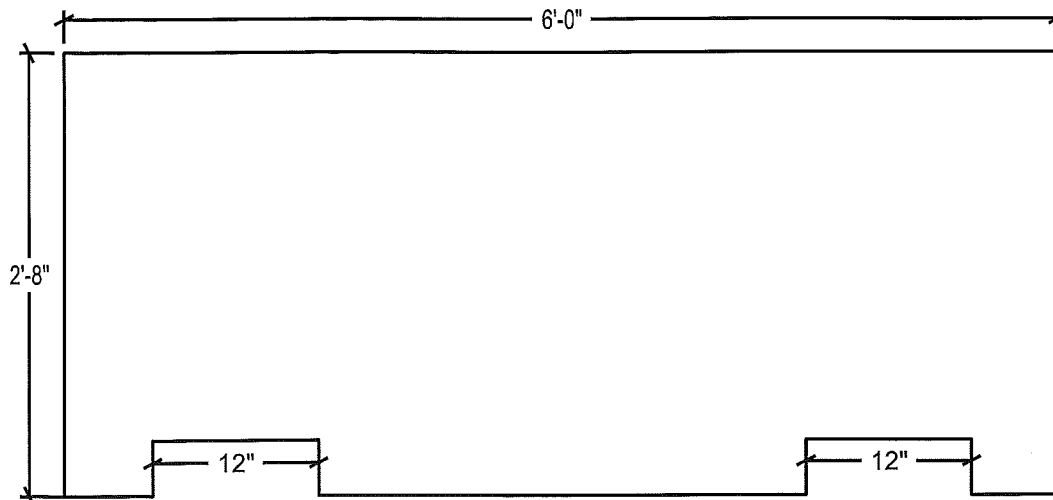


PLAN VIEW
 JERSEY BARRIER



SECTION VIEW
 JERSEY BARRIER



ELEVATION VIEW
 JERSEY BARRIER

REBAR & MESH					
BAR#	MARK	LENGTHS			
		QTY.	BEND	LENGTH	WEIGHT
5	501	1		23' X 5'-4 1/2" X 23"	
5	502	2		13' X 5'-4 1/2" X 13"	

Fairbanks
Precast & Rebar

1122 BRADWAY ROAD.
 NORTH POLE, AK.99705
 PH: (907) 488-9763
 FAX: (907) 488-8300

SCALE: NO SCALE

DRAWN BY: T.E.C.

DATE 2/4/2010

REVISED: 1/14/2011

6'-0" JERSEY BARRIER