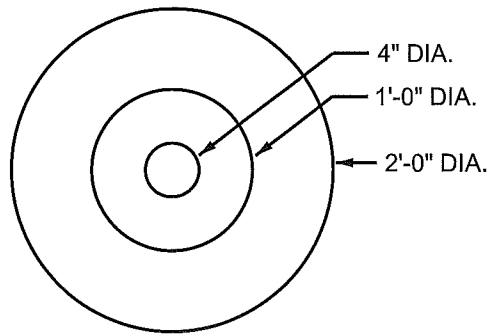



4" GALVANIZED PIPE
EMBEDDED IN CONCRETE
(BUYER TO SUPPLY)

APPROXIMATE WEIGHT:
1300 LBS.



	1122 BRADWAY ROAD. NORTH POLE, AK.99705 PH: (907) 488-9763 FAX: (907) 488-8300	
	SCALE: NO SCALE	DRAWN BY: T.E.C.
DATE 1/26/2010	REVISED: 1/26/2010	
HEAD BOLT HEATER POST		