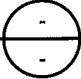
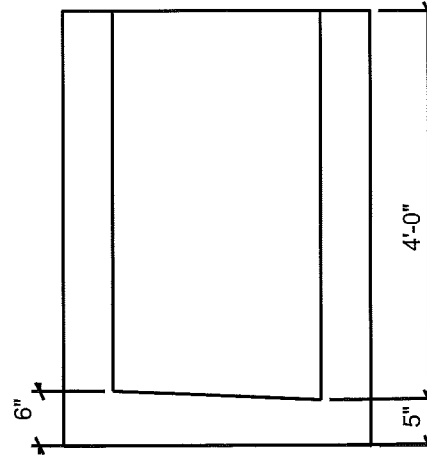
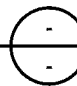
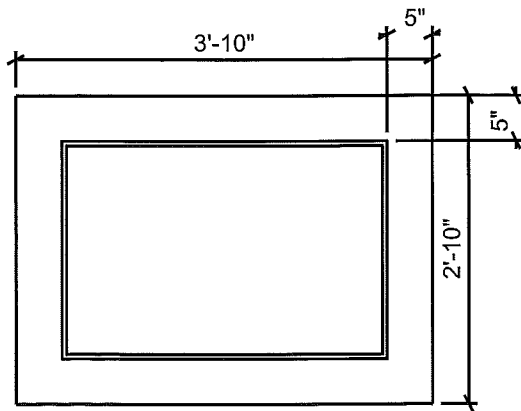


ELEVATION 



SECTION 


PENETRATION SIZES &  
PLACEMENT TO BE DETERMINED  
BY CONTRACTOR



PLAN 

PENETRATION SIZES &  
PLACEMENT TO BE DETERMINED  
BY CONTRACTOR

REINFORCEMENT: 6X6 W4.0 X W4.0  
THROUGHOUT INLET BOX.  
WEIGHT IS DEPENDANT UPON  
HEIGHT SPECIFIED WHEN ORDERING.

 <b>Fairbanks Precast &amp; Rebar</b>	1122 BRADWAY ROAD, NORTH POLE, AK.99705 PH: (907) 488-9763 FAX: (907) 488-8300	
	SCALE: NO SCALE	DRAWN BY: T.E.C.
DATE 11/8/2010	REVISED: 00/00/0000	
TYPE "A" INLET BOX - CONFORMS TO (D-26.02 AK)		