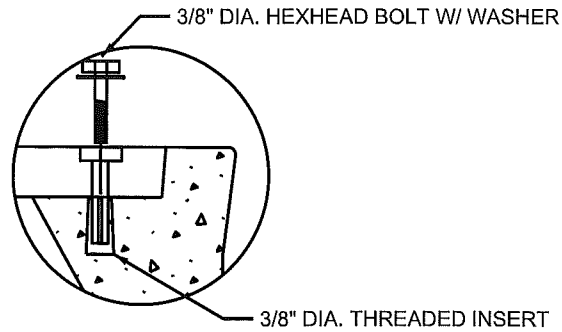
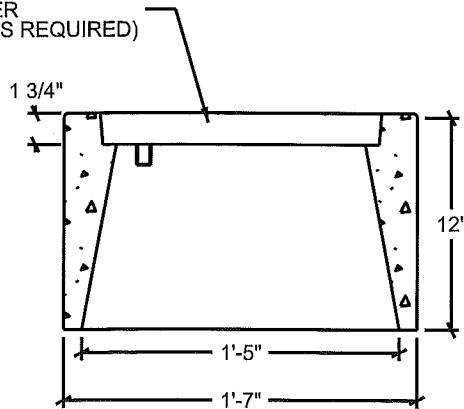


PLAN —
A

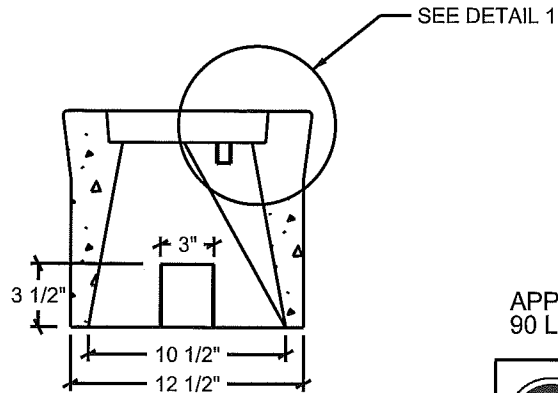


DETAIL W/ COVER 1
—

CAST IRON COVER
(W/ LETTERING AS REQUIRED)



SECTION B
—



SECTION A
—

APPROXIMATE WEIGHT:
90 LBS.



1122 BRADWAY ROAD.
NORTH POLE, AK.99705
PH: (907) 488-9763
FAX: (907) 488-8300

SCALE: NO SCALE

DRAWN BY: T.E.C.

DATE 2/9/2010

REVISED: 3/2/2010

TYPE 1 J-BOX