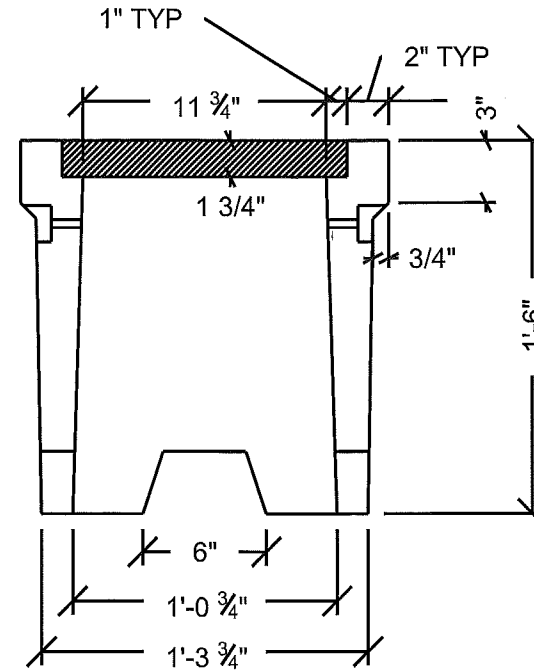
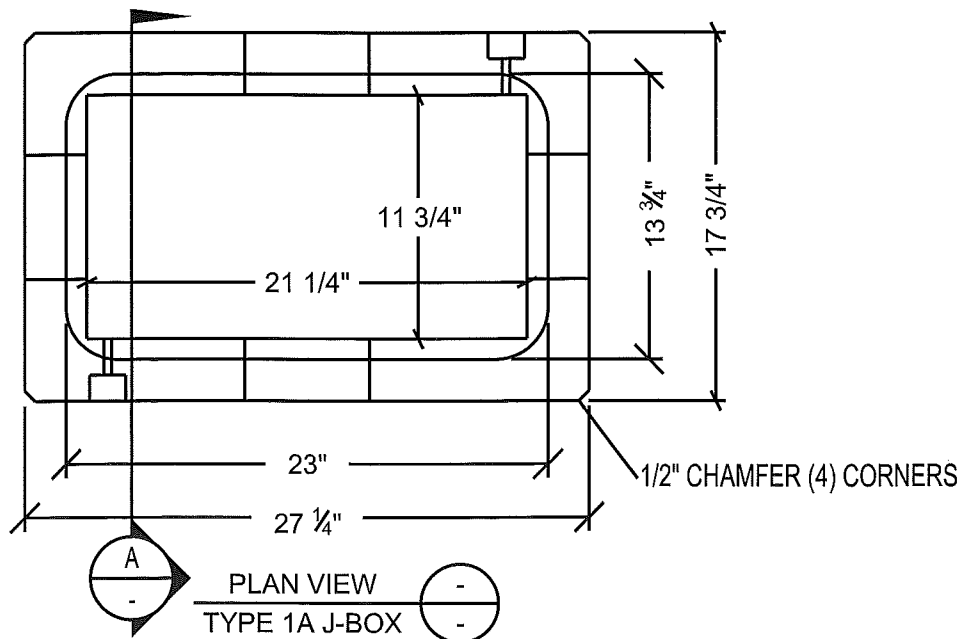


ELEVATION VIEW
TYPE 1A J-BOX




SECTION VIEW A
TYPE 1A J-BOX



PLAN VIEW
TYPE 1A J-BOX

REINFORCEMENT:
WWF 6 X 6 W2.1/W2.1 (8 GAUGE WWF)
APPROXIMATE WEIGHT:
331 LBS.

		1122 BRADWAY ROAD. NORTH POLE, AK.99705 PH: (907) 488-9763 FAX: (907) 488-8300	
SCALE: NO SCALE		DRAWN BY: T.E.C.	
DATE 1/25/2010		REVISED: 11/19/2010	
TYPE 1A JUNCTION BOX			