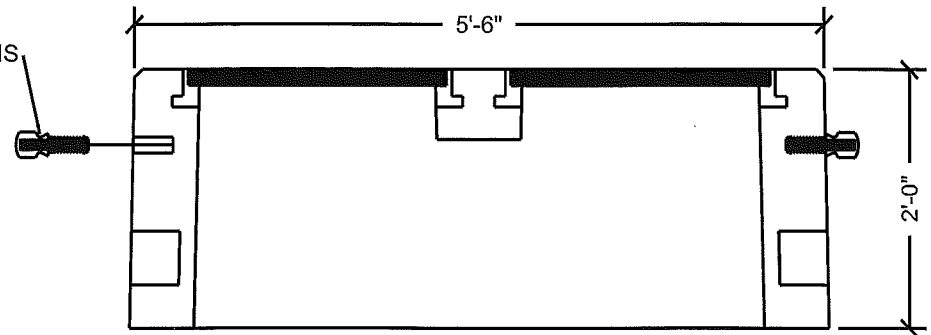
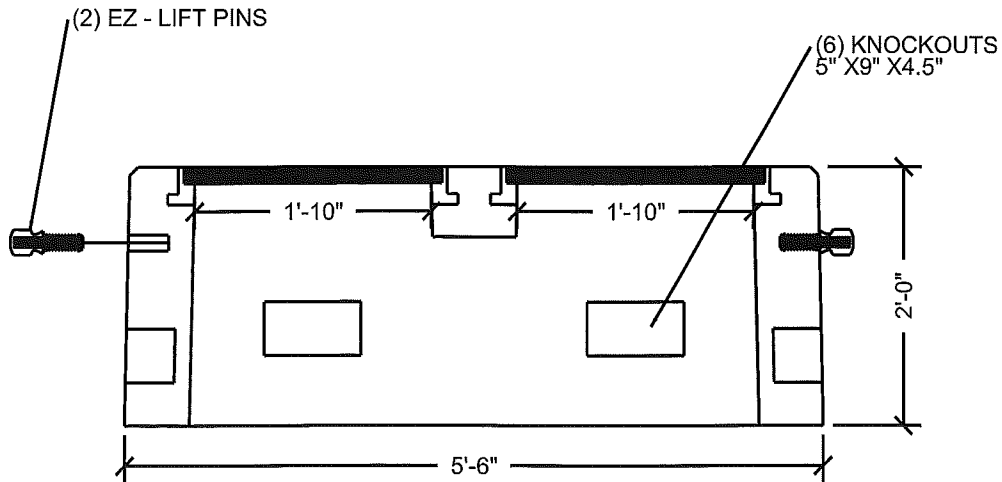


PLAN VIEW
TYPE III J-BOX

(2) EZ - LIFT PINS




SIDE VIEW
TYPE III J-BOX



ELEVATION VIEW
TYPE III J-BOX

APPROXIMATE WEIGHT:
3200 LBS. (WITH FRAME & COVER)

		1122 BRADWAY ROAD. NORTH POLE, AK. 99705 PH: (907) 488-9763 FAX: (907) 488-8300	
		SCALE: NO SCALE	DRAWN BY: T.E.C.
DATE 1/25/2010		REVISED: 3/2/2010	
TYPE III JUNCTION BOX			