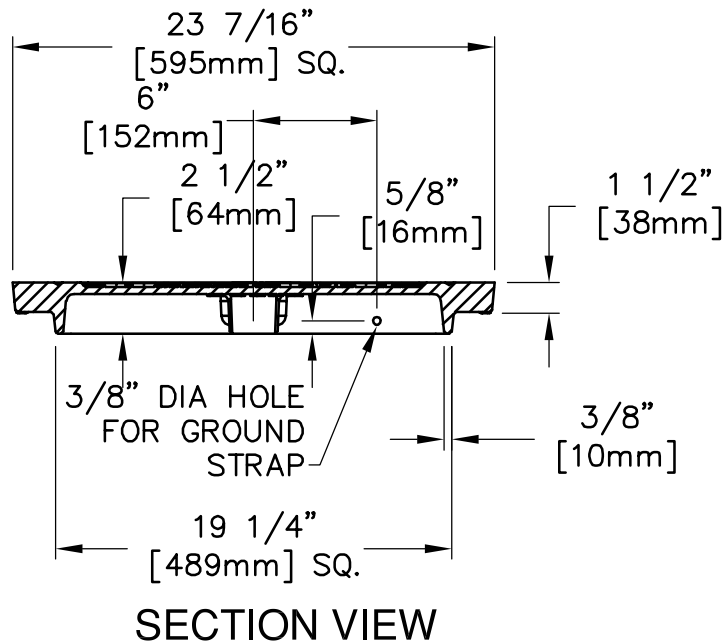
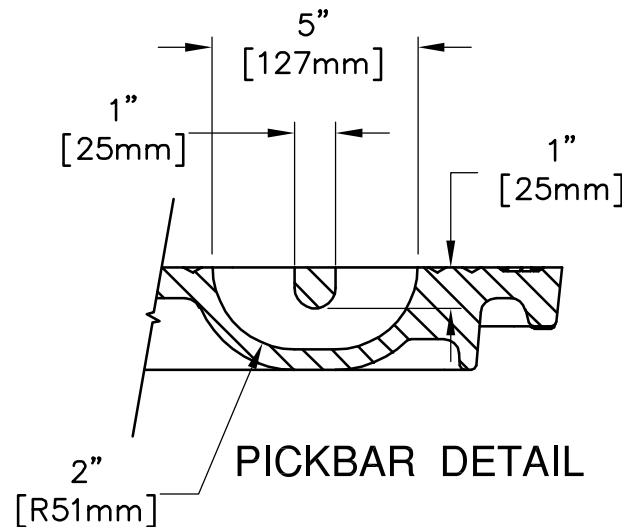


BOTTOM VIEW



SECTION VIEW



PICKBAR DETAIL

EAST JORDAN  
IRON WORKS, INC.  
P.O. BOX 439  
EAST JORDAN, MI. 49727  
1-800-874-4100  
FAX 231-536-4458

DRAWN DEW	DATE 11/23/04
APPROVED	DATE

SIDEWALK  
COVER

PRODUCT NO.  
**00829720**

CATALOG NO.  
8297A  
(IFCO 970)

REF. PRODUCT DRAWING  
00829728 SLD.

EST. WT.  
COVER: 119 LBS 54kg

OPEN AREA  
N/A

MAT'L SPEC.  
FRAME - GRAY IRON  
ASTM A48 CL35B

LOAD RATING  
HEAVY DUTY