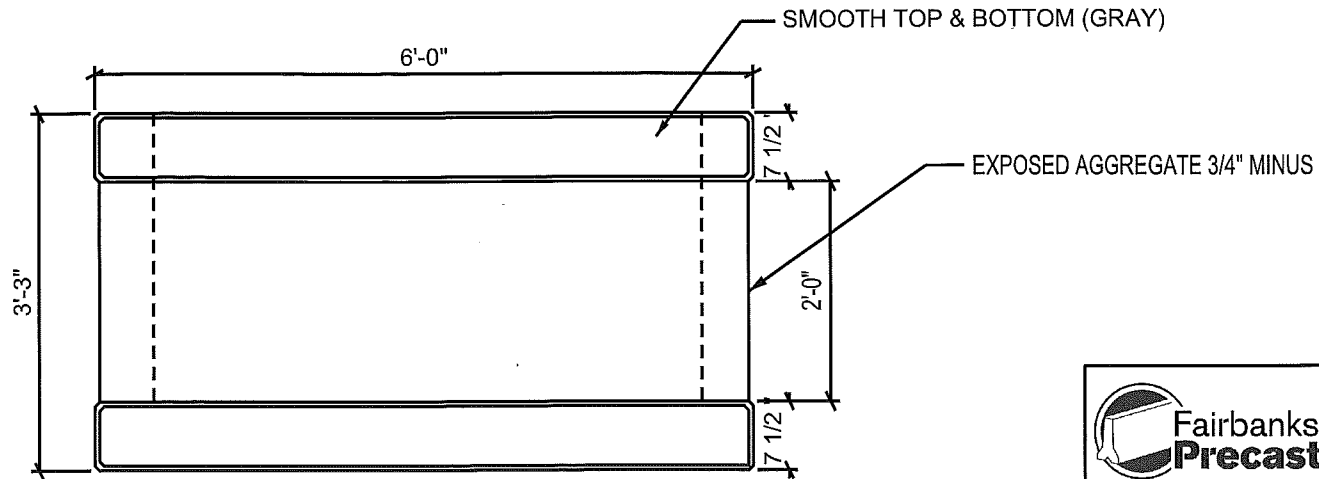


REINFORCEMENT: 6X6 W2.9XW2.9  
APPROXIMATE WEIGHT: 4415 LBS.



Fairbanks  
**Precast & Rebar**

1122 BRADWAY ROAD.  
NORTH POLE, AK.99705  
PH: (907) 488-9763  
FAX: (907) 488-8300

SCALE: NO SCALE

DRAWN BY: T.E.C.

DATE 2/9/2010

REVISED: 3/22/2010

FLOWER BOX - PLANTER - LARGE