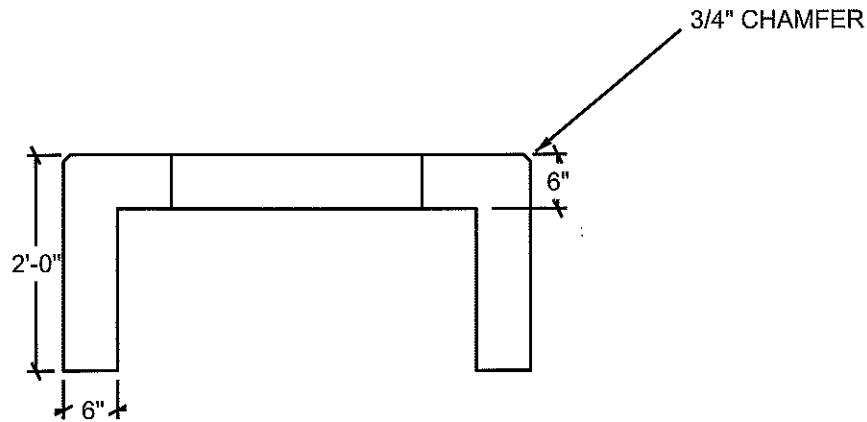


PLAN

NOTES:
 6x6-W2.9XW2.9 WWF CAGE
 APPROXIMATE WEIGHT = 2625 LBS.
 #4 U BARS AROUND WINDOW
 (4) 5/8" LIFTING INSERTS



SECTION

REBAR & MESH					
BAR#	MARK	LENGTHS			
		QTY.	BEND	LENGTH	WEIGHT
#4		2		2'X1'-6"X2'	
#4		2		3'	



1122 BRADWAY ROAD.
 NORTH POLE, AK.99705
 PH: (907) 488-9763
 FAX: (907) 488-8300

SCALE: NO SCALE

DRAWN BY: T.E.C.

DATE 1/25/2010

REVISED: 1/25/2010

UM1-1/SUM1 48"X48"X24" (6" WALLS)