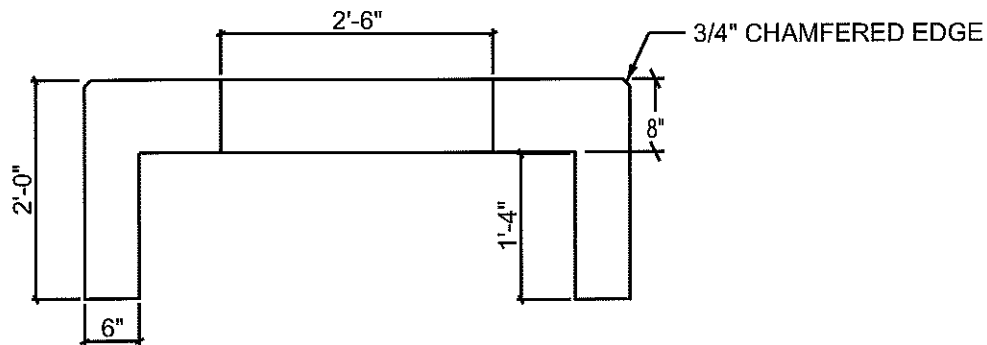


PLAN

NOTES:
 6X6-W2.9xW2.9 WWF CAGE
 W/ #4 U BARS AROUND OPENING
 (4) 5/8" LIFTING INSERTS
 APPROXIMATE WEIGHT = 3865 LBS EA.



SECTION

REBAR & MESH					
BAR#	MARK	LENGTHS			
		QTY.	BEND	LENGTH	WEIGHT
#4		2		2'X1'2"X2'	
#4		2		3'	

	1122 BRADWAY ROAD, NORTH POLE, AK.99705 PH: (907) 488-9763 FAX: (907) 488-8300	
	SCALE: NO SCALE	DRAWN BY: T.E.C.
DATE 1/22/2010	REVISED: 2/19/2010	
UM1-1D/SUM1-D 56"X60"X24" (8" TOP)		