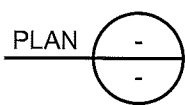
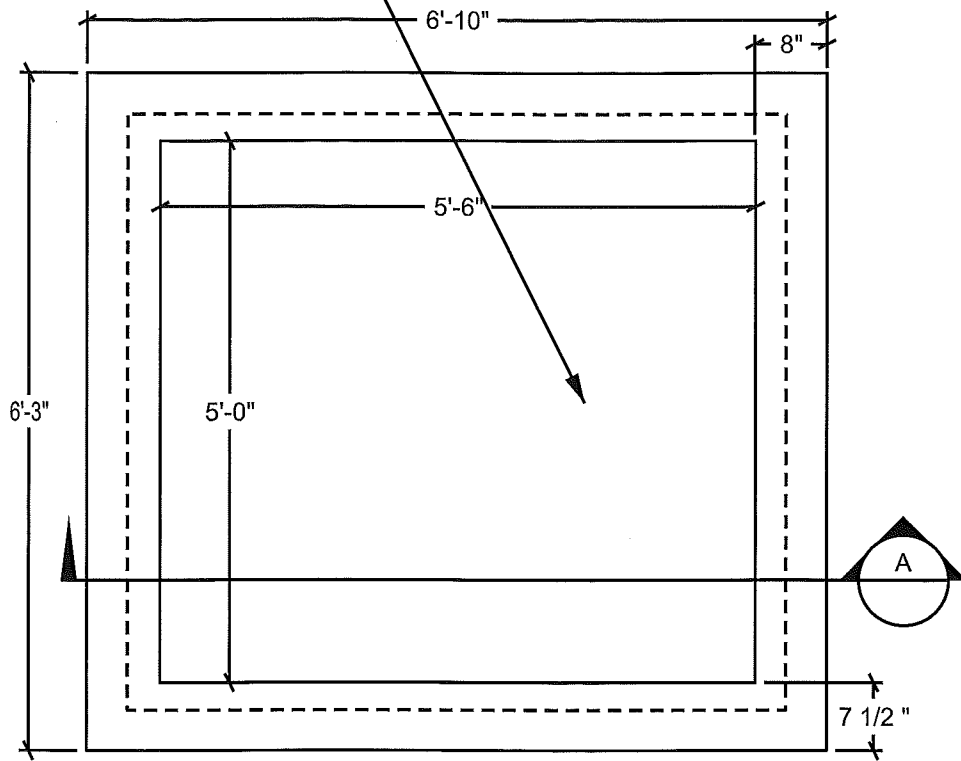
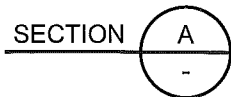
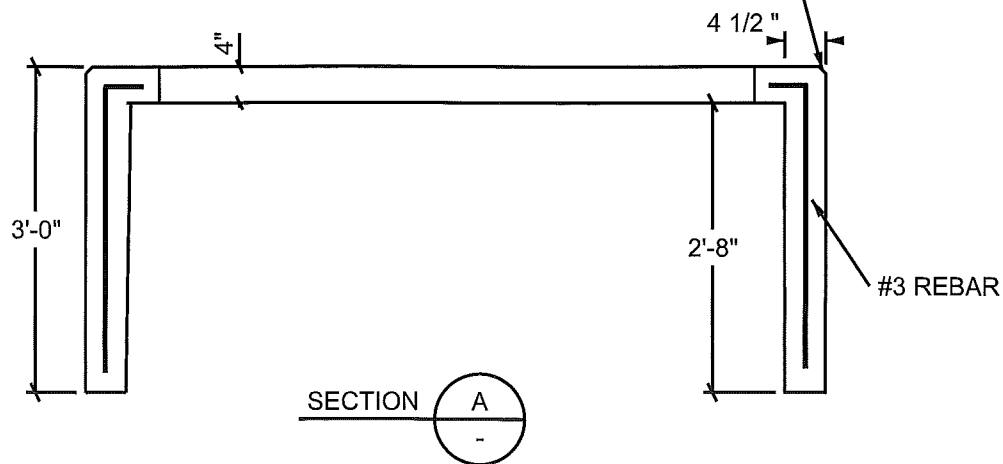


TRANSFORMER PAD WINDOW



3/4" CHAMFER



APPROXIMATE WEIGHT: 5200 LBS.

REBAR & MESH					
BAR#	MARK	REBAR LIST			
		QTY.	BEND	LENGTH	WEIGHT
3		27		4" X 2'-8"	
3		8		1'6" X 5'11" X 1'6"	
3		8		6'-6"	
3		2		1'6" X 5'6" X 1'6"	
3		2		5'6"	

	1122 BRADWAY ROAD, NORTH POLE, AK 99705 PH: (907) 488-9763 FAX: (907) 488-8300	
	SCALE: NO SCALE	DRAWN BY: T.E.C.
DATE 3/2/2010	REVISED: 3/2/2010	
UM1-1G/SUM1-G 75"X82"X36"		