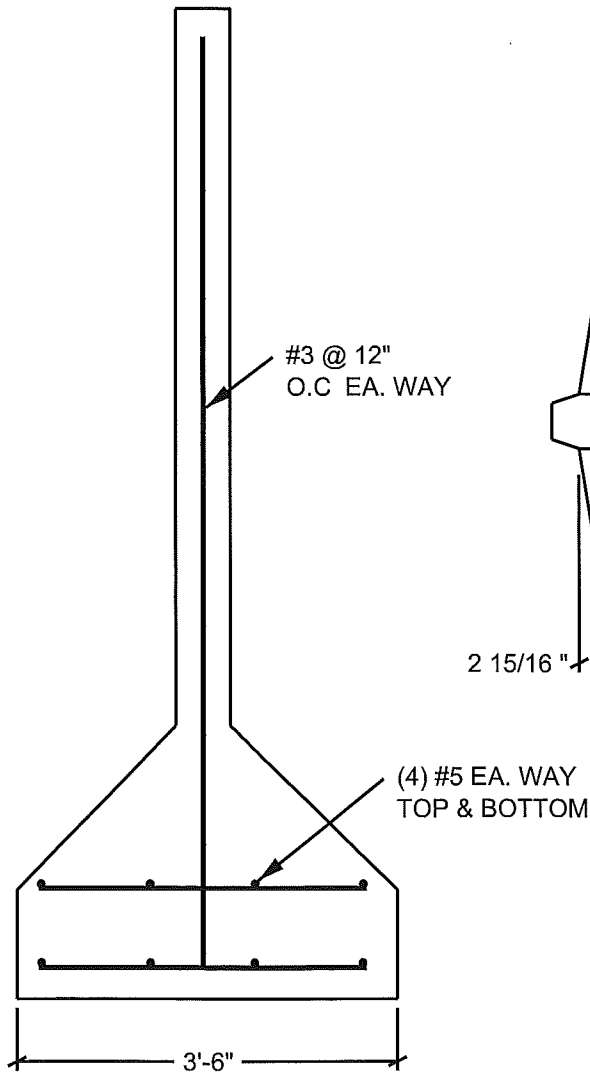
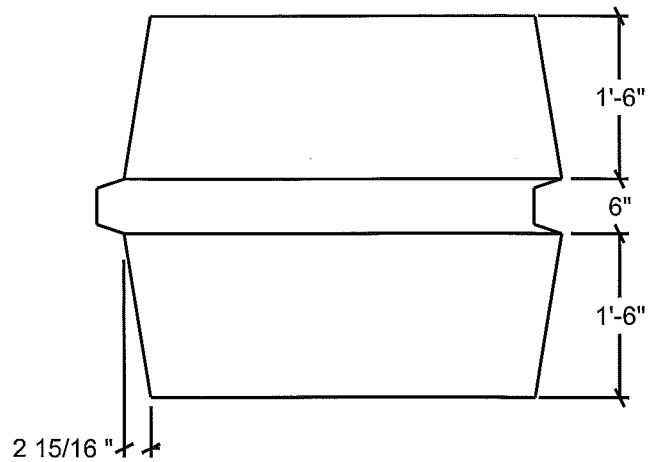



ELEVATION 1



SECTION VIEW 2



PLAN VIEW 3

		1122 BRADWAY ROAD, NORTH POLE, AK. 99705 PH: (907) 488-9763 FAX: (907) 488-8300	
		SCALE: NO SCALE	DRAWN BY: T.E.C.
DATE 2/4/2010		REVISED: 3/11/2010	
TEXAS BARRIER			