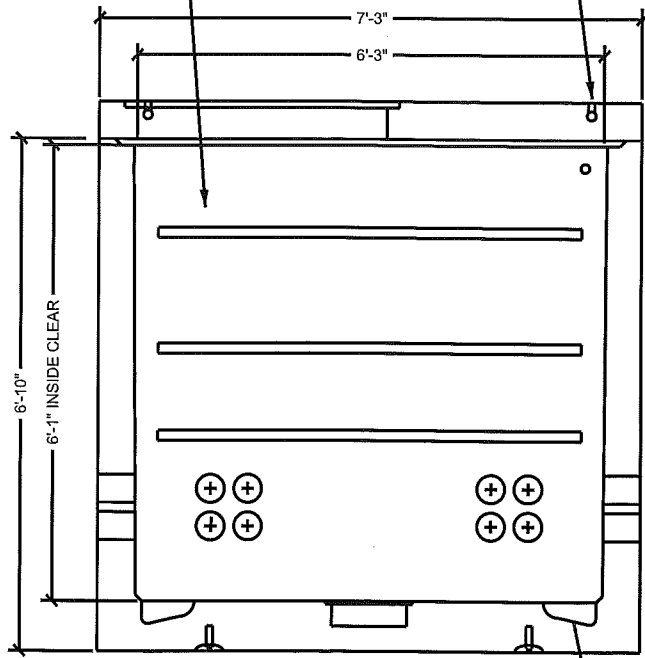


GALVANIZED "C" CHANNEL
68" LONG (3) EACH SIDE

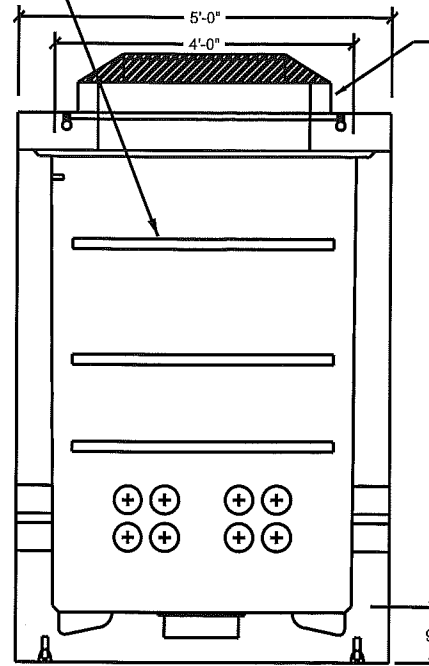
GROUND INSERT

GALVANIZED "C" CHANNEL
42" LONG (3) EACH SIDE



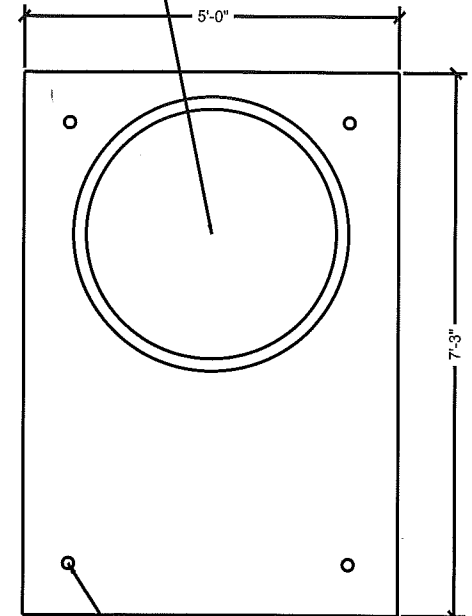
VAULT & LID
SIDE VIEW

4 TON LIFTING ANCHORS
(4) PLACES



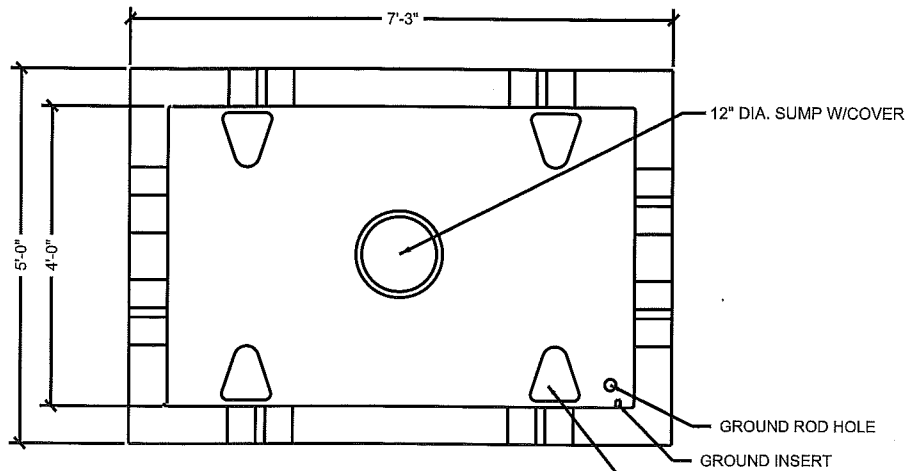
VAULT & LID - END VIEW
SHOWING GR & CASTING

40" ACCESS HOLE



LID
TOP VIEW

5/8" FERRULE LOOP INSERT LIFTING ANCHOR (4)



VAULT - TOP VIEW
WITHOUT LID

GROUND ROD HOLE

GROUND INSERT

4 TON LIFTING ANCHORS
(4) PLACES

12" DIA. SUMP W/COVER

SPECIFICATIONS:

DESIGN: ACI 318
LOADING: AASHTO HS20 - ENGINEERING ON FILE
APPROX. WEIGHTS:
TOP - 2100 LBS.
BOTTOM - 15,000 LBS.

WE CAN INSTALL BLOCKOUTS
OR DIFFERENT SIZED TERMINATORS
TO SUIT YOUR NEEDS.



1122 BRADWAY ROAD.
NORTH POLE, AK. 99705
PH: (907) 488-9763
FAX: (907) 488-8300

SCALE: NO SCALE

DRAWN BY: T.E.C.

DATE 2/9/2010

REVISED: 2/19/2010

#577 VAULT